

THT Common Mode Filter

UT Series

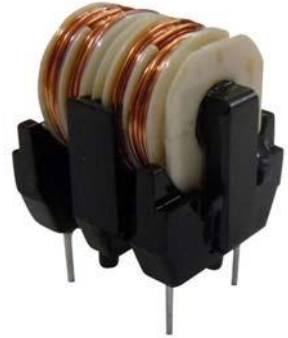
FEATURES

- Inductance is up to 47mH
- 1500Vrms isolation between windings
- Wide range of inductance and current available

APPLICATIONS

- Switching mode power supply

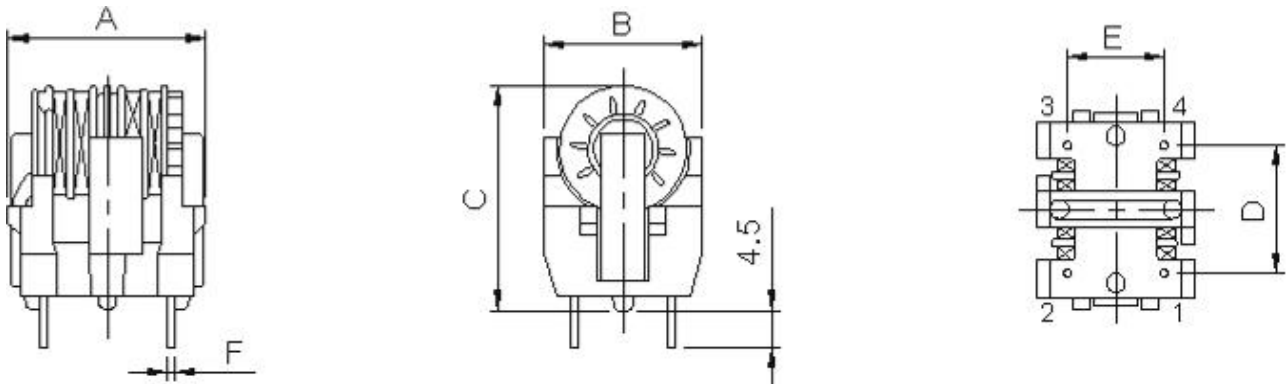
SPECIFICATIONS



Series	Inductance @1kHz (mH Min.)	D.C.R. (Ω Max.)	Irated (A) ²
UT20	0.33	0.030	3.2
	0.47	0.050	2.6
	0.68	0.070	2.2
	1.00	0.080	1.8
	2.20	0.240	1.3
	3.90	0.400	1.0
	10.00	1.000	0.6
	22.00	2.050	0.4
	33.00	3.400	0.3
	47.00	3.800	0.3

1. Operating Temperature: -40°C~+120°C (Includes temperature when the coil is heated)
2. Irated: DC current which causes the coil temperature rise 40°C (Ta=20°C)

MECHANICAL



Series	A (Max.)	B (Max.)	C (Nom.)	D (Max.)	E (Nom.)	F (Nom.)
UT20	23.0	18.0	23.0	13.0	10.0	Φ0.8

SCHEMATIC

